

Village of Lions Bay

Harvey Tank Replacement Project

October 26, 2018

ADDENDUM # 4

This Addendum forms part of the Contract Documents and is to be read, interpreted and coordinated with all other parts. The cost of all work contained herein shall be included in the Contract Sum. The following revisions supersede the information contained in the original drawings and specifications issued for the above named project to the extent referenced and shall become part thereof.

Contract Documents

TENDER CLOSING TIME

1. Tenderers are advised that the Tender Closing Time has changed.

Section 00 21 13 - Instructions to Tenderers.

REPLACE:

"Tenders must be addressed to Andreea Irimia, Civil Engineer (the "Engineer") and received at the AECOM Canada Ltd., on the Fourth Floor of Suite 330-3292 Production Way, Burnaby, BC V2A 4R4 not later than **3:00 p.m., local time** on

Friday, November 2, 2018

(the "Tender Closing Time").

WITH:

"Tenders must be addressed to Andreea Irimia, Civil Engineer (the "Engineer") and received at the AECOM Canada Ltd., on the Fourth Floor of Suite 330-3292 Production Way, Burnaby, BC V2A 4R4 not later than **3:00 p.m., local time** on

Friday, November 9, 2018

(the "Tender Closing Time").

DRAWINGS

1. Drawing M-01-001

DELETE drawing in its entirety and REPLACE with drawing M-01-001 REV 1 Issued for Addendum 4.

End of Addendum #4



NOTICE:
 THE EXISTENCE, LOCATION AND ELEVATION OF UTILITIES AND/OR CONCEALED STRUCTURES AT THE PROJECT SITE ARE NOT GUARANTEED BY AECOM CANADA LTD.
 THE CONTRACTOR IS RESPONSIBLE FOR DETERMINING THE EXISTENCE, LOCATION AND ELEVATION OF ALL SUCH UTILITIES AND/OR STRUCTURES AND IS RESPONSIBLE FOR NOTIFYING THE APPROPRIATE COMPANY, DEPARTMENT OR PERSON(S) OF ITS INTENTION TO CARRY OUT ITS OPERATIONS.

REGISTRATION

ISSUE/REVISION

NO	DATE	DESCRIPTION
1	10/26/2018	ISSUED FOR ADDENDUM 4
0	09/21/2018	ISSUED FOR TENDER
I/R	DATE	DESCRIPTION

KEY PLAN

PROJECT NUMBER

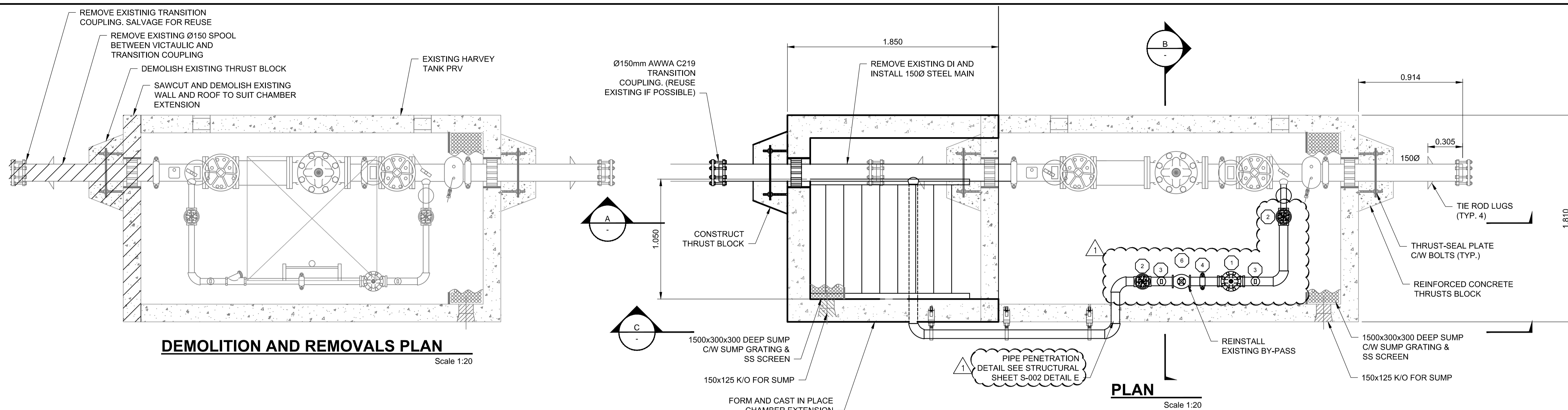
60546407

SHEET TITLE

HARVEY TANK
 PRV 200 ACCESS MODIFICATIONS

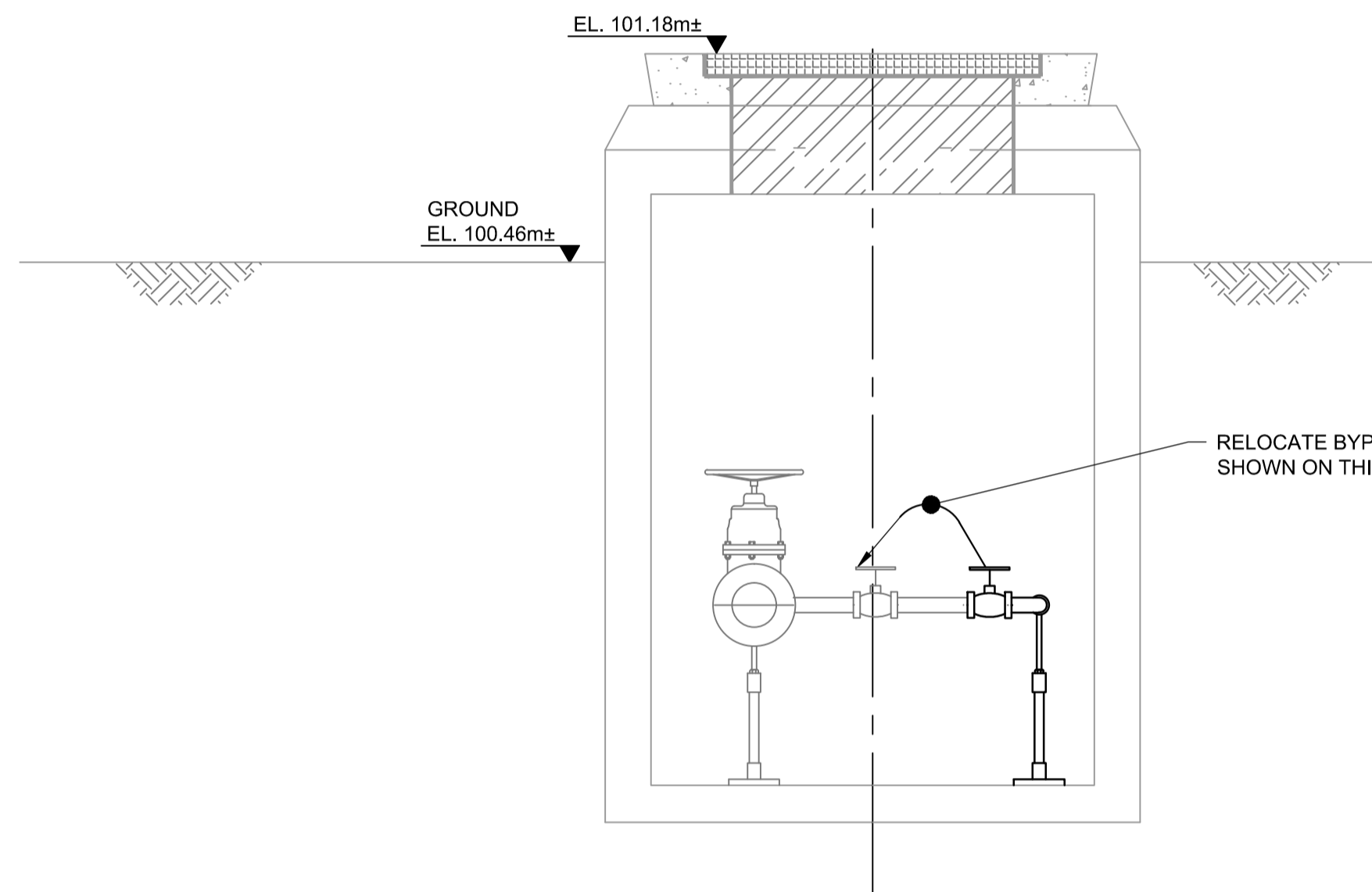
SHEET NUMBER

M-01-001

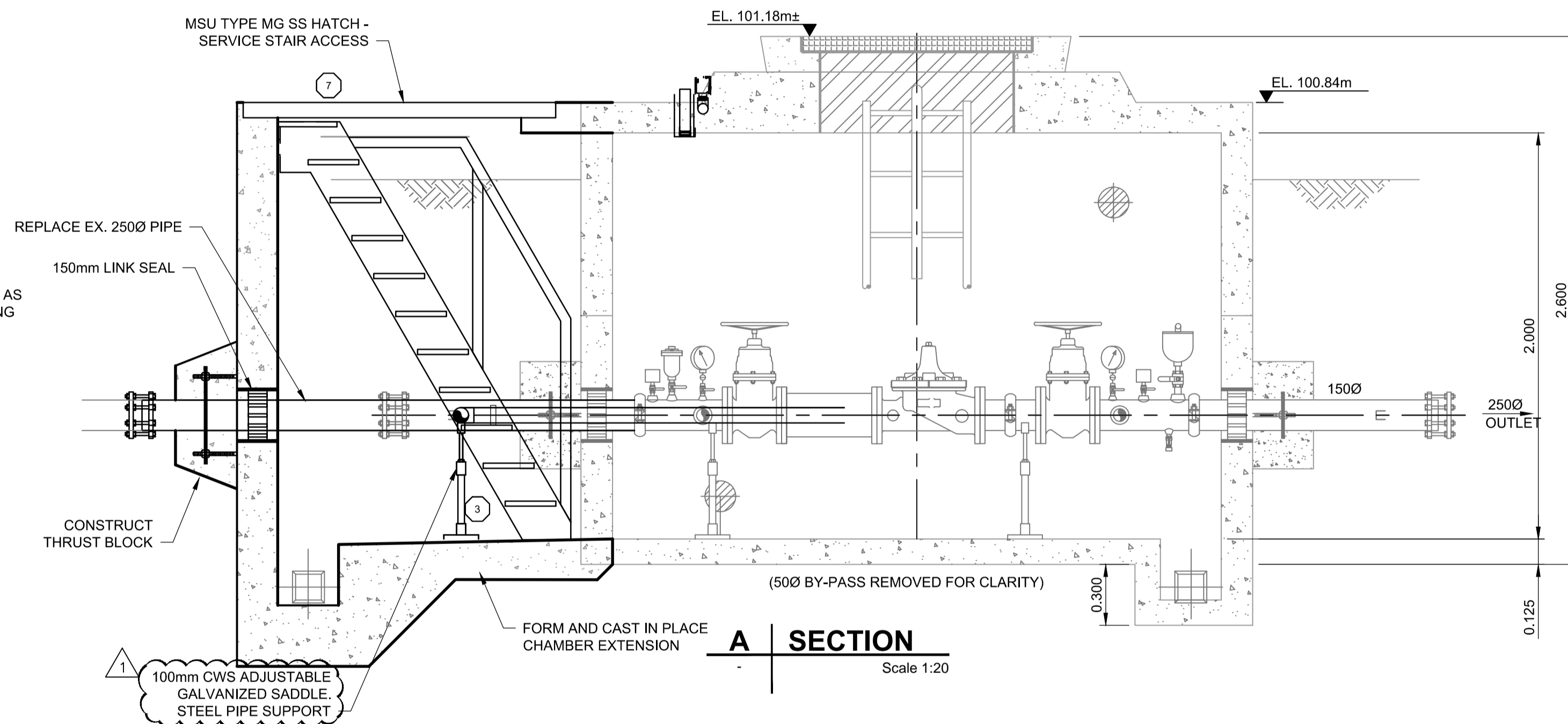


DEMOLITION AND REMOVALS PLAN
 Scale 1:20

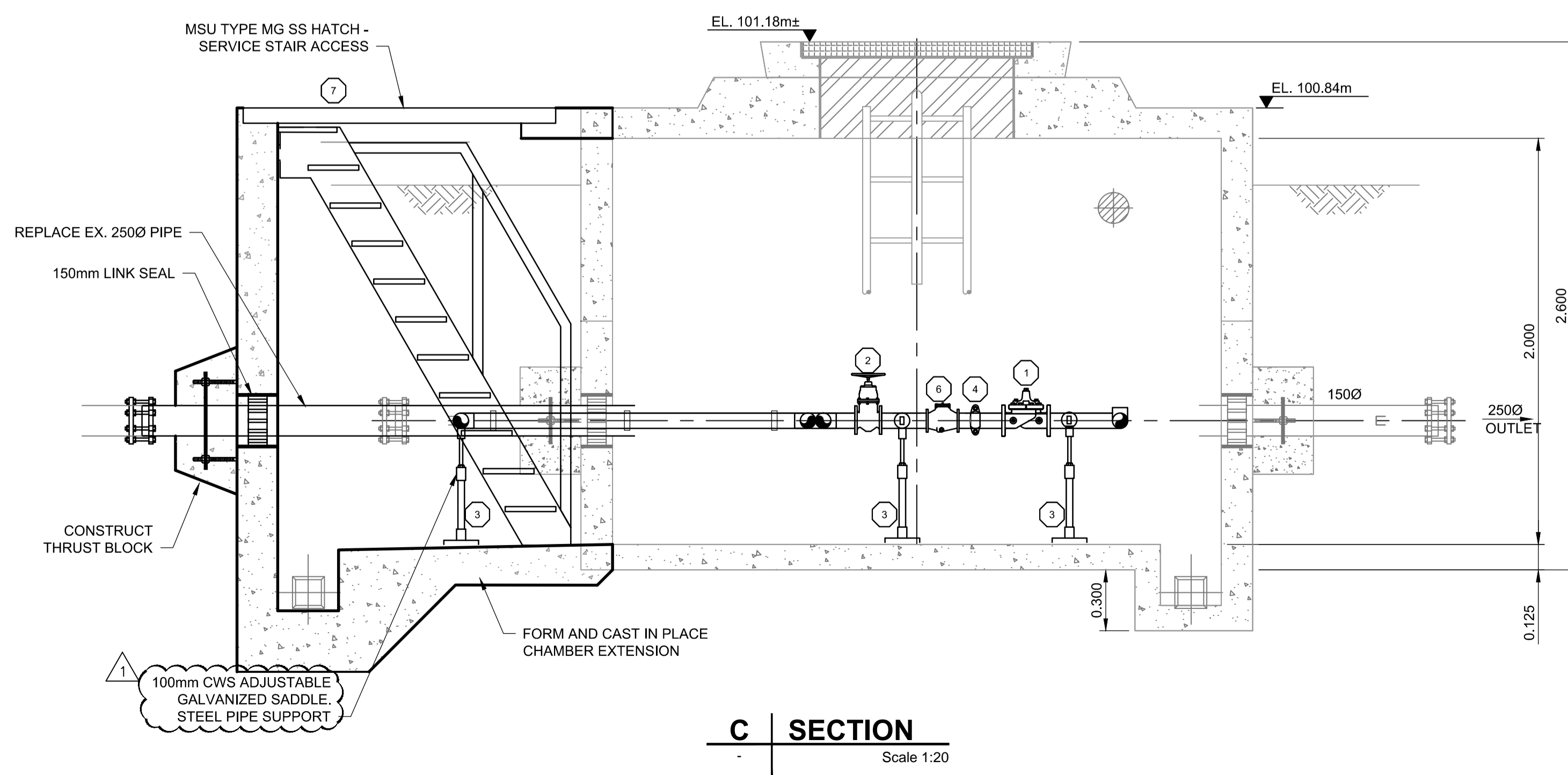
PLAN
 Scale 1:20



B SECTION
 Scale 1:20



A SECTION
 Scale 1:20



C SECTION
 Scale 1:20

MATERIALS LIST		
ITEM	QTY	DESCRIPTION
1	1	100 CLA-VAL 90 - 01 BSYKC PRESSURE REDUCING VALVE C/W CLOSE POSITION INDICATOR, 120V SOLENOID VALVE AND 120V AC CONTACTOR - THREADED
2	2	100 MUELLER A2360-6W41 NRS GATE VALVE C/W HANDWHEEL - THREADED
3	3	GALVANIZED STEEL ADJUSTABLE PIPE SUPPORTS
4	1	100 VICTAULIC #07 ZERO FLEX COUPLING
5	1	100 MUELLER 11m CAST IRON Y STRAINER C/W BLOWDOWN VALVE - THREADED
6	1	100mm "H" STRAINER W/ EPOXY COATING AND BLOWDOWN VALVES, CLA-VAL, SINGER OR APPROVED ALTERNATIVE
7	1	MSU TYPE MG SS HATCH AND SERVICE STAIR ACCESS

NOTES:

- ALL 75mm DIA. AND LARGER PIPE, INSIDE WETTED SURFACES TO BE SANDBLASTED, EPOXY LINED AND COATED TO AWWA C-210 AND NSF-61 SPECIFICATION. FINISH COATING WILL BE BLUE ENAMEL.
- FABRICATED STEEL PIPE AND FITTINGS TO BE SCHEDULE NO. 40 STEEL PIPE FOR SIZES TO 250mm DIA.
- LOADING: H2O STATIC LOAD RATES

This drawing has been prepared for the use of AECOM's client and may not be used, reproduced or relied upon by third parties, except as agreed by AECOM and its client, as required by law or for use by governmental reviewing agencies. AECOM accepts no responsibility, and denies any liability, whatsoever, to any party that modifies this drawing without AECOM's express written consent. Do not scale this document. All measurements must be obtained from stated dimensions.

